

Astro & Safari Van Steel Replacement Spring

Dayton
parts™

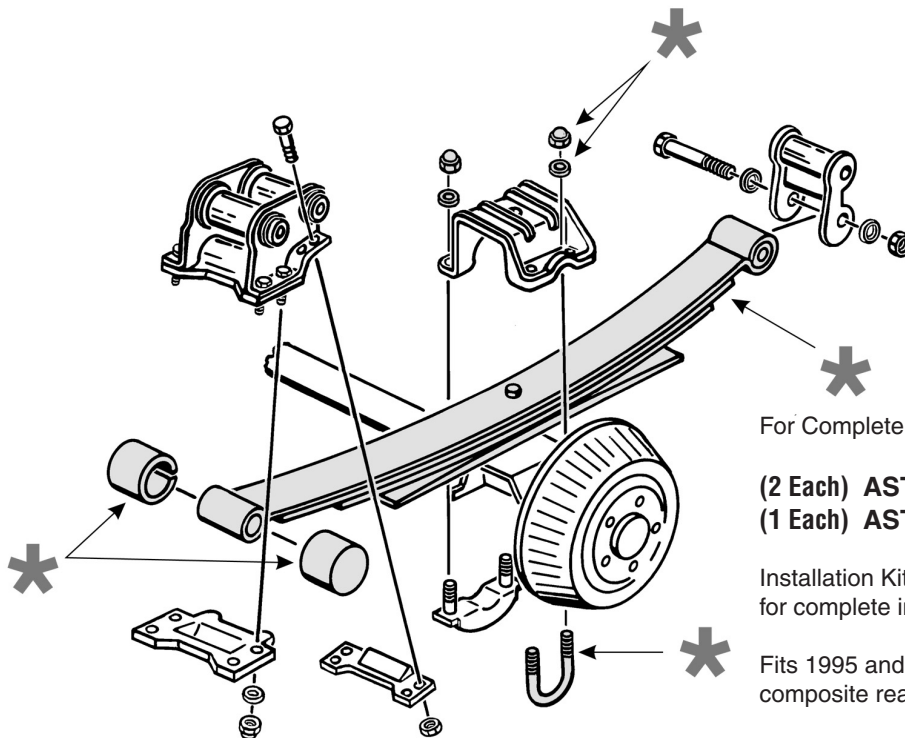


Steel Replacement Spring

Steel Replacement Springs for Astro and Safari Vans

No Vehicle Modifications Required - Simple One Hour Installation

4000 Lbs. Capacity*



For Complete Installation Order:

(2 Each) AST-1 Springs
(1 Each) AST-2 Installation Kit

Installation Kit contains all necessary hardware for complete installation.

Fits 1995 and older Astro & Safari vans with composite rear springs only.

Note: Springs must be installed in pairs.

Caution: Never exceed the manufacturer's suggested GVWR.

* As measured at ground, includes weight of axle, tires and wheels.