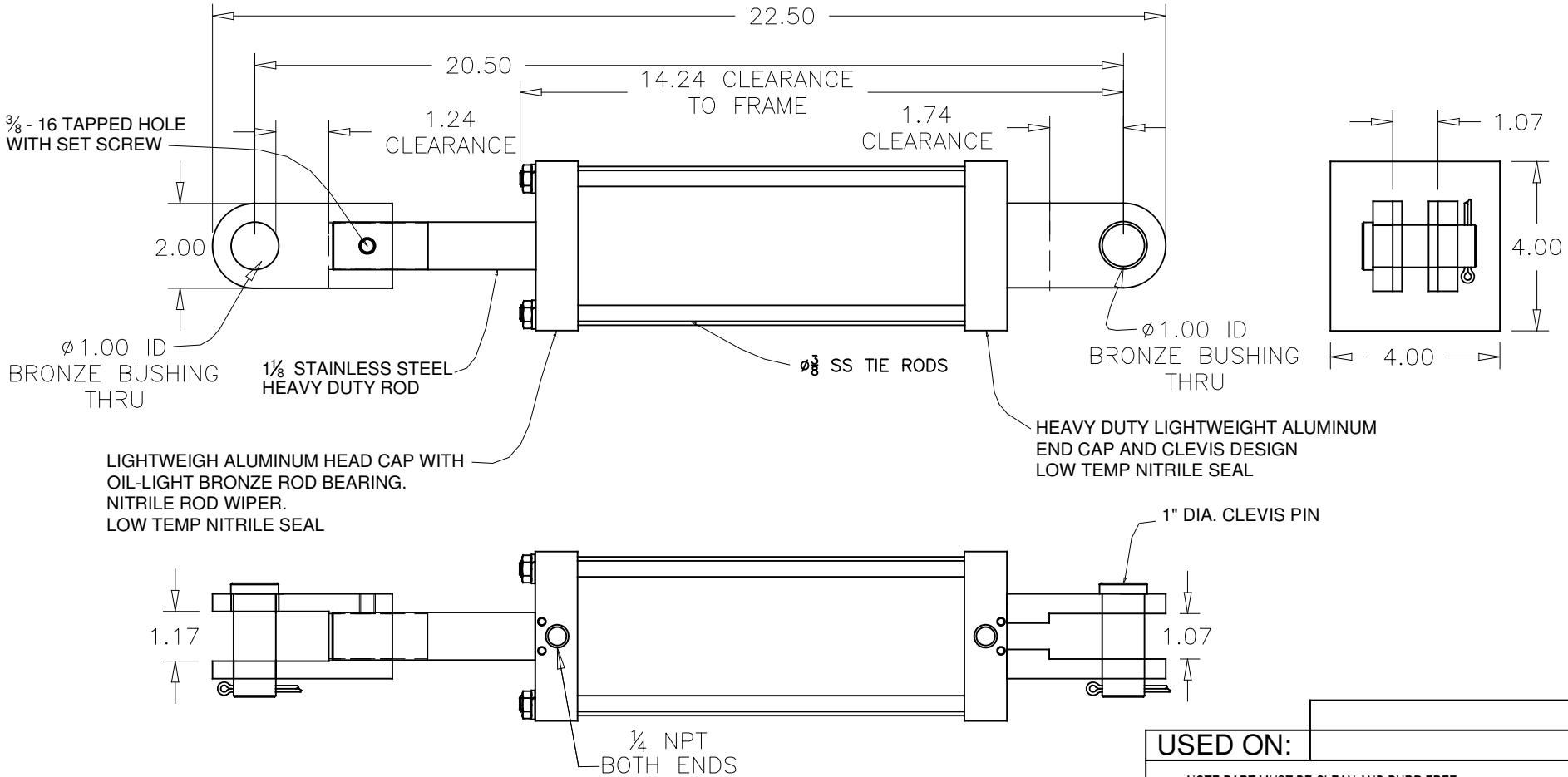


ECN	REV	CHANGE	DATE	BY
	A	ORIGINATED	2/16/09	JRK



3.50" BORE X 1/8" WALL ANODIZED ALUMINUM CYL
 ALUMINUM END CAPS
 STAINLESS STEEL ROD

USED ON:

NOTE: PART MUST BE CLEAN AND BURR FREE
 MFG TOLERANCES UNLESS OTHERWISE NOTED:
 TOLERANCES: (2) DECIMAL PLACES +/- .01
 (3) DECIMAL PLACES +/- .005
 ANGLES: +/- .5 DEG.
 BREAK ALL EDGES .005/.015 X 45°
 MACHINED SURFACES TO BE 63 RMS

DESC 1: 3.50" BORE CYL. X 8" STROKE

DO NOT SCALE PRINT

CONFIDENTIAL
 THIS DRAWING OR ANY PART THEREOF IS
 PROPRIETARY AND MAY NOT BE REPRODUCED
 OR COPIED WITHOUT WRITTEN CONSENT OF
 AIRMAN INC.

	Drawn & Reviewed	 <i>Creative Pneumatics</i> WWW.AIRMANINC.COM COPYRIGHT 1997 AIRMAN INC.®	MATERIAL:		PART IDENTIFIER
DATE			STOCK SIZE		
NAME	JRK		SCALE:	N/A	
			FINISH:		B3000-517 CUSTOMER PG. 1 OF 1